



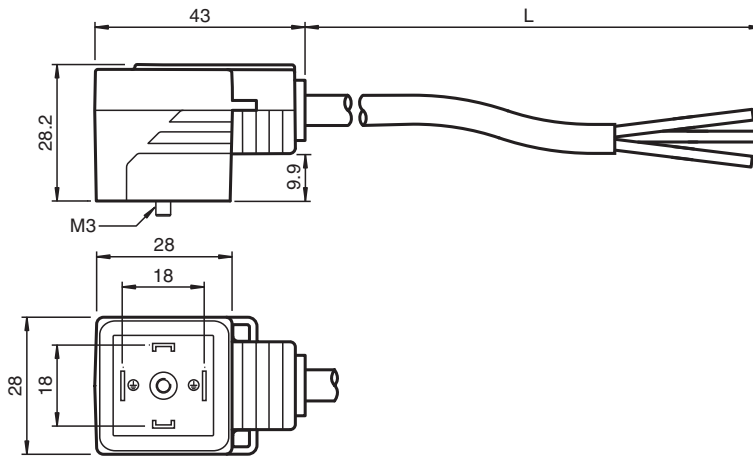
## Valve Connector Cordset VMA-2+P/Z2-5M-PVC

- Valve connector according EN 175301-803 A/ISO 4400
- Z diode as a protective circuit
- Built-in LED, as operating and function indicator
- Moulded seal
- freely selectable cable models due to bridged protective earth
- Flame resistant cable
- Oil resistant
- Immunity to vibration, with mechanical latching

Valve connector, Form A, 2+PE, Z diode, PVC cable



### Dimensions



### Technical Data

#### General specifications

Connector 1	
Connection	Valve connector DIN
Construction type	Valve connector Form A
Style	angled
Locking	screw connection
Number of pins	2 + PE
Connector 2	
Connection	cable end
Customization	sheath stripped 50 mm

#### Indicators/operating means

LED yellow	Functional display
------------	--------------------

#### Electrical specifications

Operating voltage	$U_B$	max. 24 V AC/DC
Operating current	$I_B$	max. 4 A
Suppression		Zener diode

#### Conformity

Release date: 2023-09-04 Date of issue: 2023-09-04 Filename: 245823\_eng.pdf

Refer to "General Notes Relating to Pepperl+Fuchs Product Information".

Pepperl+Fuchs Group  
www.pepperl-fuchs.com

USA: +1 330 486 0001  
fa-info@us.pepperl-fuchs.com

Germany: +49 621 776 1111  
fa-info@de.pepperl-fuchs.com

Singapore: +65 6779 9091  
fa-info@sg.pepperl-fuchs.com

 PEPPERL+FUCHS

## Technical Data

Degree of protection	EN 60529	
Plug connection	Valve connector : DIN EN 175301-803	
Flammability	DIN VDE 0482 , DIN EN 50265-2-1	
<b>Ambient conditions</b>		
Ambient temperature		
Plug connector	-20 ... 85 °C (-4 ... 185 °F)	
Cable, fixed	-40 ... 80 °C (-40 ... 176 °F)	
Cable, flexing	-5 ... 80 °C (23 ... 176 °F)	
Pollution degree	3	
<b>Mechanical specifications</b>		
Plug connector		
Tightening torque	0.6 Nm	
Tool installation	screw M3 x 29	
Degree of protection	IP65/IP67	
Cable		
according to IEC/EN 60228 (DIN VDE 0295) class 5		
Sheath diameter	4.8 mm	
Bending radius	> 5 x cable diameter, fixed	
Sheath color	black (similar to RAL 9005)	
Number of cores	3	
Core cross section	0.5 mm <sup>2</sup>	
Cores color	Core 1: black 1 Core 2: black 2 Core 3: green/yellow	
Core construction	16 x 0.2 mm Ø	
Length	L	5 m
Cable code	Li YY 3 x 0,50	
Mass	201.1 g	
<b>Material</b>		
Plug connector		
Body	TPU, black	
Seal	TPU , molded	
Contact surface	Sn	
Flammability	V-0	
Cable		
Sheathing	PVC	
Core insulation	PVC	
Oil resistance	good	
Flammability	V-0	

## Connection

